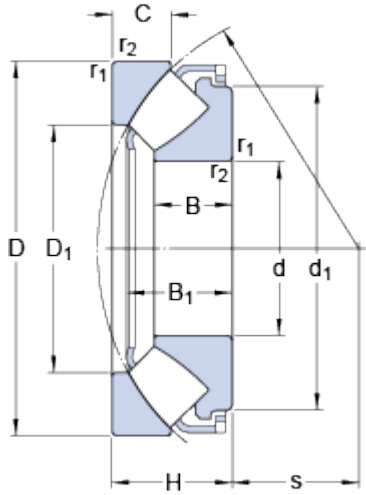


# 29440 E

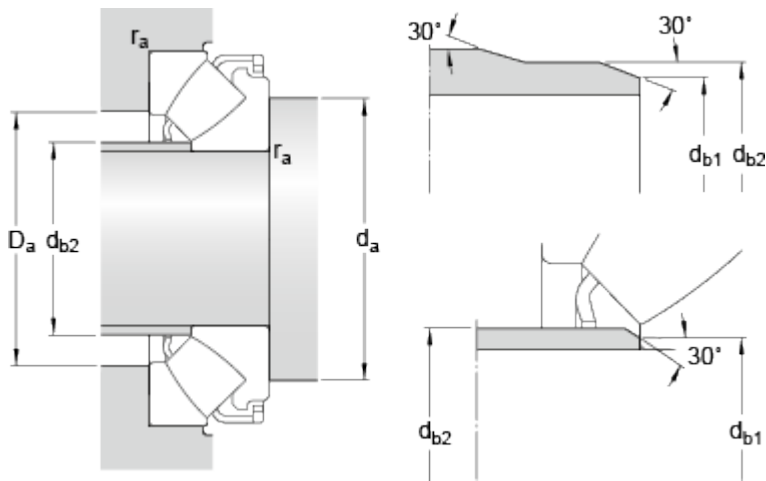
SKF Explorer

## Dimensions



|                  |        |    |
|------------------|--------|----|
| d                | 200    | mm |
| D                | 400    | mm |
| H                | 122    | mm |
| d <sub>1</sub>   | ≈ 350  | mm |
| D <sub>1</sub>   | ≈ 278  | mm |
| B                | 77     | mm |
| B <sub>1</sub>   | 107.1  | mm |
| C                | 59.4   | mm |
| s                | 122    | mm |
| r <sub>1,2</sub> | min. 5 | mm |

## Abutment dimensions



|                 |            |    |
|-----------------|------------|----|
| d <sub>a</sub>  | min. 295   | mm |
| d <sub>b1</sub> | max. 217.5 | mm |
| d <sub>b2</sub> | max. 234   | mm |
| D <sub>a</sub>  | max. 337   | mm |
| r <sub>a</sub>  | max. 4     | mm |

## Calculation data

|                           |                |      |       |
|---------------------------|----------------|------|-------|
| Basic dynamic load rating | C              | 3200 | kN    |
| Basic static load rating  | C <sub>0</sub> | 9000 | kN    |
| Fatigue load limit        | P <sub>u</sub> | 850  | kN    |
| Reference speed           |                | 850  | r/min |
| Limiting speed            |                | 1600 | r/min |
| Minimum axial load factor | A              | 7.7  |       |

## Mass

|              |  |    |    |
|--------------|--|----|----|
| Mass bearing |  | 72 | kg |
|--------------|--|----|----|